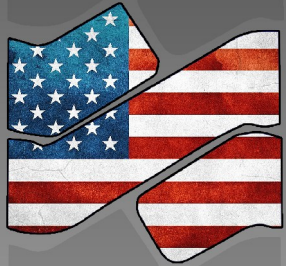


INDUSTRIAL TIRE PROBLEM SOLVERS SINCE 1953



MITCO

MADE SOLID SINCE 1953

AMERICAN MADE



Made in the USA



Super Solid



IDL



XP3



Solid Solver



X-Flex

MITCHELL INDUSTRIAL TIRE COMPANY, INC

CHATTANOOGA TN

COLTEWAH TN

BENSALEM PA

ELM MOTT TX

WOODLAND CA

MITCHELL INDUSTRIAL TIRE COMPANY, INC

RESILIENT/PSS

How Resilient Tires are Sized

(Also called "PSS", "Solid Air Tire", "Solid Pneumatic")

How a Resilient (PSS) Tires is Sized

Example:

750x15 (7.50x15)

Section Width 7.50 inches

Tire Inside Diameter (I.D.) is 15 inches

What you need to correctly identify a tire:

1) Tire Size

Examples: 750x15

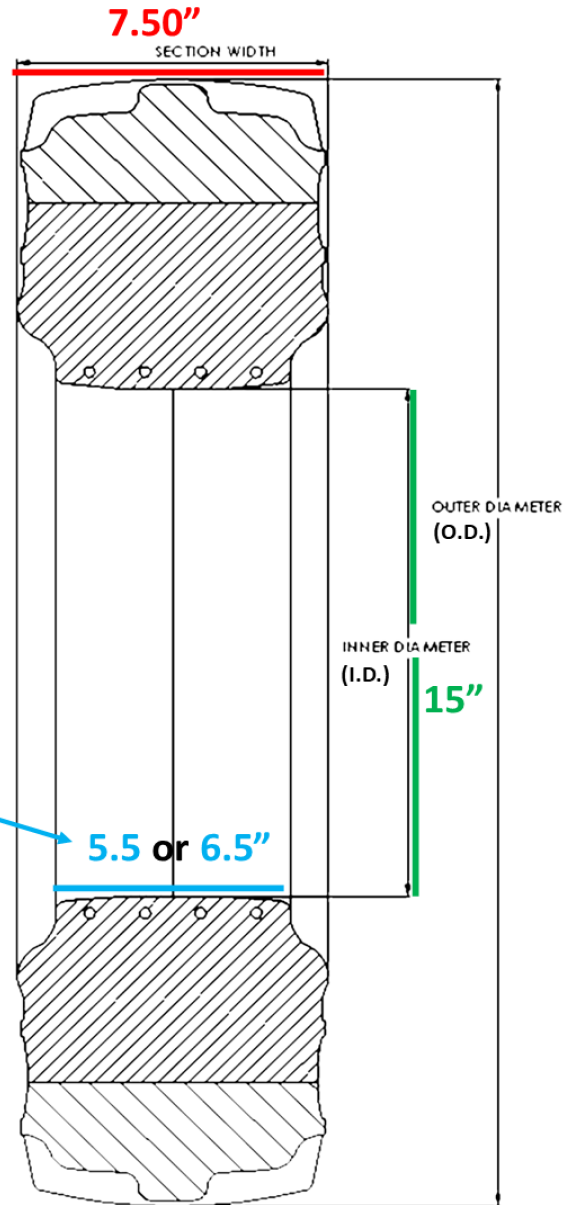
(Note: some size have different rim width)

(i.e. 750x15-5.5 or 750x15-6.5)

2) Traction or Smooth

(Traction is the most common)

3) Universal (black) or Non-Marking



Common Tire Widths	
Drive	Steer
18x7-8	15x4-1/2x8
650x10	500x8
700x12	600x9
300x15	700x12
250x15	700x12
28x9-15 (815x15)	650x10
815x15	650x10
700x15(4) Duals	700x12
1000x20	1000x20
1200x20	1200x20
1400x24	1400x24



**MITCO
Solid
Solver
(26)**



**GS Solid
General
Service
(24)**

MADE SOLID SINCE 1953



**MADE IN
AMERICA**



- Premium 3-Stage Design for increased heat dissipation
- Unique tread design improves stability and extends tire life
- Made for extreme environments
- 100% Natural Rubber Compound

RESILIENT/PSS

SOLID SOLVER XP3

Size	Rim Width	OD +/- 2%	Section Width	CARRY CAP. 6MPH	WEIGHT	UNIVERSAL #	NON-MARKING
15x4.5-8	3	380	108	2040	20	26903301	26903302
15x5.5-9	4.5	384	129	2940	23	26900301	26900302
5.00-8	3	454	123	2590	36	26218301	26218302
18x7-8	4.33	456	154	3750	47	26915301	26915302
18x7-8 Click	4.33	456	154	3750	47	26916301	26916302
200-50-10	6.5	460	199	5340	54	26845301	26845302
6.00-9	4	530	136	4130	57	26300301	26300302
21x8-9	6	527	184	6150	76	26925301	26925302
6.50-10	5	582	170	5680	85	26330301	26330302
6.50-10 Click	5	582	170	5680	85	26331301	26331302
7.00-12	5	661	173	6390	109	26400301	26400302
7.00-12 Click	5	661	173	6390	109	26401301	26401302
7.00-15	5.5	742	193	7700	141	26410301	26410302
7.00-15 Click	5.5	742	193	7700	141	26411301	26411302
8.15-15	7	710	220	9200	143	26580301	26580302
8.15-15 Click	7	710	220	9200	143	26581301	26581302
7.50-15	5.5	767	192	8070	155	26520301	26520302
2.50-15	7	739	247	10440	178	26950301	26950302
2.50-15 Click	7	739	247	10440	178	26953301	26953302
250x15-7.50" EF click	7.5	739	247	10440	178	26953301	26953302
8.25-15	6.5	828	219	10590	215	26610301	26610302
8.25-15 Click	6.5	828	219	10590	215	26611301	26611302
3.00-15	8	828	266	13030	258	26955301	26955302
3.00-15 Click	8	828	266	13030	258	26956301	26956302

MITCHELL INDUSTRIAL TIRE COMPANY, INC



**MADE IN
AMERICA**



- Made in USA (Chattanooga, TN)
- 100% natural rubber compound
- Multistage design reduces heat build up
- Cost-effective daily operation tire

RESILIENT/PSS

SOLID SOLVER

SIZE	RIM WIDTH	OD +/-2%	SECTION WIDTH	CARRY CAP. 6MPH	WEIGHT	UNIVERSAL #	NON-MARKING #	Click
15x4.5-8	3	14.5	4.5	1260	20	26903101	26903102	Click
400x6 Rib	3.25	10.5	4	-	8	26140401	26140402	
400x8 Rib	3.75	16.1	4.5	-	26	26165401	26165402	
16x6-8	4.33	15.9	5.3	1310	34	26910101	26910102	Click
500x8	3	18	4.8	-	37	26218101	26218102	
500x8	3.25	18	4.8	-	37	26220101	26220102	
500x8Rib	3.75	18	5.2	-	40	26240401	26240402	
18x7-8	4.33	18.1	6.4	3750	49	26915101	26915102	Click
600x9 SMOOTH	4	21	5.7	4230	60	26300001	26300002	
600x9	4	21	5.7	4230	60	26300101	26300102	Click
21x8-9	6	19.75	7.25	6190	72	26925101	26925102	Click
650x10	5	23	6.8	5810	82	26330101	26330102	Click
23x9-10	6.5	22	8	7525	98	26930101	26930102	Click
23x10-12	8	23	8.8	8820	115	26935101	26935102	
700x12 SMOOTH	5	26.1	6.9	6640	110	26400001	26400002	Click
700x12	5	26.1	6.9	6640	110	26400101	26400102	Click
27x10-12	8	26	9.75	4320	159	26940101	26940102	Click
700x15-(29x8-15)	5.5	29.1	7.5	7905	139	26410101	26410102	
700x15	6	29.1	7.64	-	152	26420101	-	
750x15	5.5	29.5	7.34	8630	156	26510101	26510102	
750x15	6.5	29.5	7.87	10195	156	26520101	26520102	
750x16	5.5	31.25	7.25	8615	175	26530101	26530102	
800x16	5.5	32.5	8.1	8800	195	26560101	26560102	
815x15-(28x9-15)	7	28	8.6	9000	139	26580101	26580102	Click
825x15 SMOOTH	6.5	32.5	8.8	10875	215	26610001	26610002	Click
825x15	6.5	32.5	8.8	10875	215	26610101	26610102	
28x12.5-15	9.75	27.75	11.62	10085	196	26835101	26835102	Click
825x15	6.5	32.5	8.8	10875	215	26610101	26610102	Click
200x50-10	6.5	17	10	9530	51	26845101	26845102	Click
250x15	7	29	9.6	9615	178	26950101	26950102	
250x15	7.5	29	10	10300	178	26952101	26952102	Click
300x15	8	32.3	10.8	13190	257	26955101	26955102	Click
10.00x20	7	39.25	9	16800	309	26780101	-	
10.00x20	7.5	39.25	9	16900	309	26785101	26785102	
10.00x20	8	39.25	9	17015	309	26790101	26790102	
12.00x20	8	42.3	10	18605	417	26810101	26810102	
12.00x20	8.5	42.3	10	18605	417	26815101	26815102	

MADE SOLID SINCE 1953



MADE IN
AMERICA



- Made in USA (Chattanooga, TN)
- Apertures allow for improved heat dissipation
- Unique sidewall apertures improve ride comfort
- 100% natural rubber compound

RESILIENT/PSS

SOLID SOLVER X-FLEX

SIZE	RIM WIDTH	O.D. -2%	+/- SECTION WIDTH	CARRY CAP. 6MPH	WEIGHT	UNIVERSAL#	NON-MARKING #
500x8	3	17.75	5	2670	32	26218901	26218902
600x9	4	20.5	6.25	4230	60	26300901	26300902
600X9EFClick	4	20.5	6.25	4230	60	26301901	-
650x10	5	22.5	7.12	5810	76	26330901	26330902
700x12	5	26.25	7.75	6640	110	26400901	26400902
700X12EFClick	5	26.25	7.75	6640	97	26401901	26401902
815X15	7	27	7.25	9000	136	26580901	26580902
815x15EFClick	7	27	7.25	9000	144	26581901	-
825X15	6.5	31	7.5	10875	178	26610901	-
825x15EFClick	6.5	31	7.5	10875	178	26611901	26611902
300x15	8	32	11	13190	257	26955901	-
300x15EFClick	8	32	11	13190	257	26956901	-
250X15	7	28	9.5	9615	160	26950901	-
250X15EFClick	7	28	9.5	9615	160	26951901	-

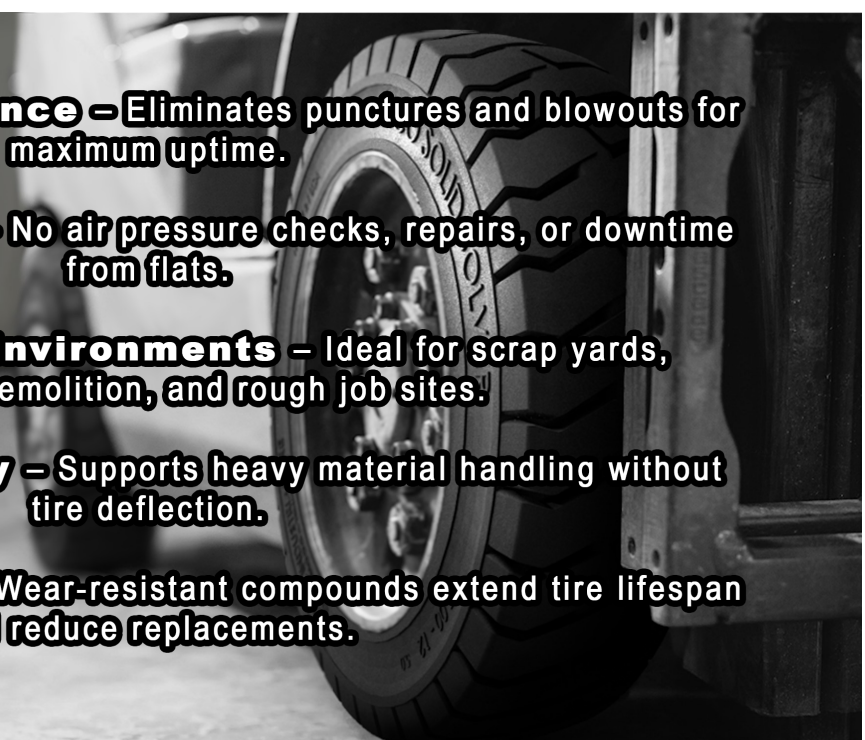
Flat-Proof Performance – Eliminates punctures and blowouts for maximum uptime.

Zero Maintenance – No air pressure checks, repairs, or downtime from flats.

Built for Harsh Environments – Ideal for scrap yards, recycling, demolition, and rough job sites.

High Load Capacity – Supports heavy material handling without tire deflection.

Long Service Life – Wear-resistant compounds extend tire lifespan and reduce replacements.



MITCHELL INDUSTRIAL TIRE COMPANY, INC



MADE IN
AMERICA



- Premium 3-Stage Design for increased heat dissipation
- Unique tread design improves stability and extends tire life
- Made for extreme environments
- 100% Natural Rubber Compound

RESILIENT/PSS

SOLID SOLVER SKID STEER

SIZE	DESCRIPTION	WEIGHT	PRODUCT#
31x10-20/7.5"	Solid Solver R4 TIRE ONLY	131	26840801
31x10-20/7.5"	Solid solver R4 Left APER 8 on 8 TWA	246	76840LA1
31x10-20/7.5"	Solid Solver R4 Right APER 8 on 8 TWA	246	76840RA1
31x10-20/7.5"	Solid Solver R4 Left APER 8 on 10.81 TWA	240	76840LB1
31x10-20/7.5"	Solid Solver R4 Right APER 8 on 10.81 TWA	240	76840RB1
33x12-20	Solid Solver R4 TIRE ONLY	186	26860801
33X12-20	Solid Solver R4 LEFT APER 8 on 8 TWA	301	76860LA1
33x12-20	Solid Solver R4 RIGHT APER 8 on 8 TWA	301	76860RA1
33X12-20	Solid Solver R4 APER LEFT 8 on 10.81 TWA	295	76860LB1
33X12-20	Solid Solver R4 APER RIGHT 8 on 10.81 TWA	295	76860RB1
31x10-20/7.5"	Solid Solver APER SMOOTH TIRE ONLY	112	26840001
31x10-20/7.5"	Solid Solver APER SMOOTH 8 on 8 TWA	281	768400A1
31X10-207.5"	Solid Solver APER SMOOTH 8 on 10.81 TWA	221	768400B1
33x12-20/7.5"	Solid Solver APER SMOOTH TIRE ONLY	209	26861001
33X12-20/7.5"	Solid Solver APER SMOOTH 8 on 8 TWA	324	768610A1
33X12-20/7.5"	Solid Solver APER SMOOTH 8 on 10.81 TWA	324	768610B1

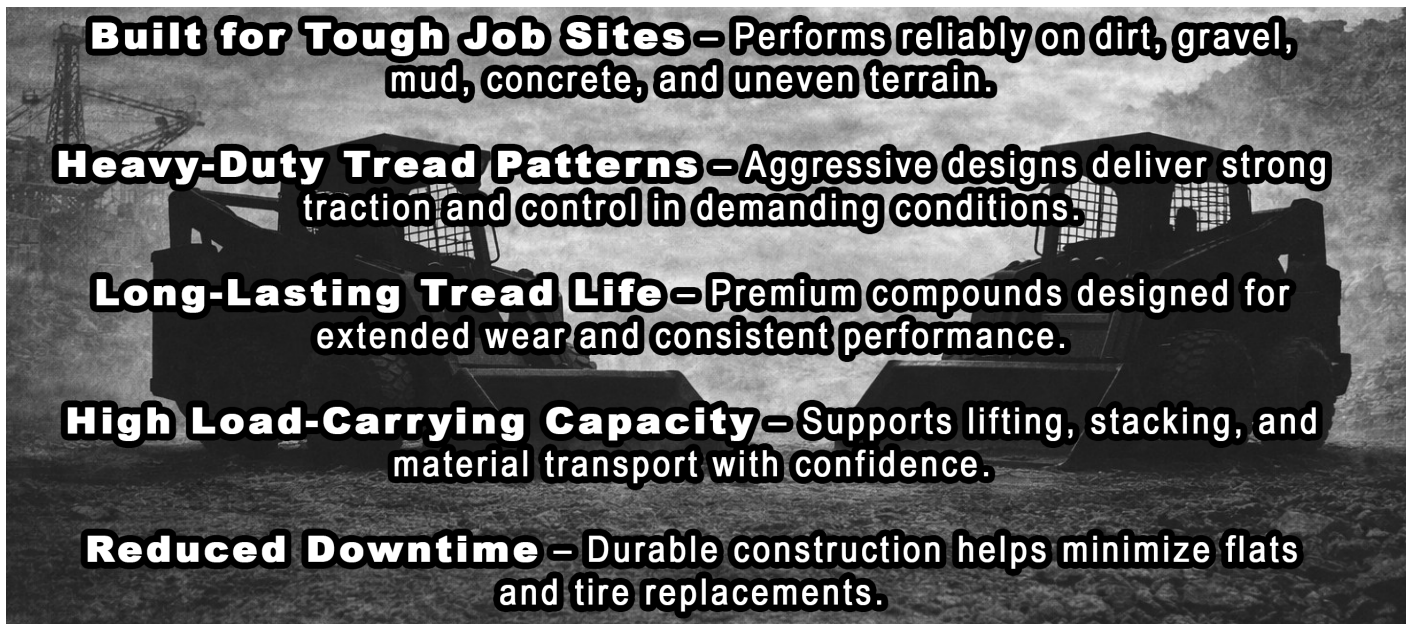
Built for Tough Job Sites – Performs reliably on dirt, gravel, mud, concrete, and uneven terrain.

Heavy-Duty Tread Patterns – Aggressive designs deliver strong traction and control in demanding conditions.

Long-Lasting Tread Life – Premium compounds designed for extended wear and consistent performance.

High Load-Carrying Capacity – Supports lifting, stacking, and material transport with confidence.

Reduced Downtime – Durable construction helps minimize flats and tire replacements.



MADE SOLID SINCE 1953

How Cushion Tires are Sized

How a Cushion (Press-On) Solid Tire is Sized (Also know as "Press On Band", "POB")

Super Solid IDL SM

Example: 21 x 7 x 15

Wide Track SM - Lug



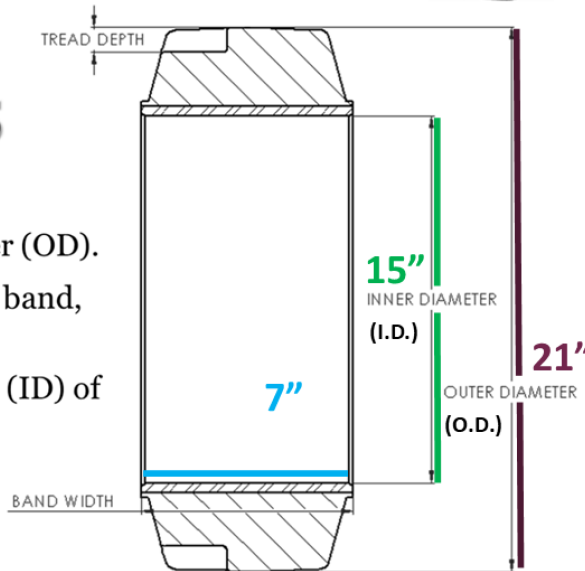
MITCO Super Solid (06)



Wide Track (WT) (04)

**TIRE SIZE:
21X7X15**

- **21"** is the outside diameter (OD).
- **7"** is the width of the steel band, not the width of the tread
- **15"** is the inside diameter (ID) of the tire.



What you need to correctly identify a tire:

Common Tire Widths	
Drive	Steer
18x6x12-1/8	14x4-1/2x8
18x8x12-18	16x5x10-1/2
18x6x12-1/8	16x6x10-1/2
21x7x15	16x6x10-1/2
21x8x15	16-1/4x5x11-1/4
22x9x16	16-1/4x6x11-1/4
21x7x15	16x5x10-1/2
21x8x15	18x6x12-1/8
21x9x15	18x6x12-1/8
22x12x16	18x7x12-1/8
22x14x16	18x8x12-1/8

1) Size

Examples:

21x7x15

2) Smooth or Traction

Some traction available in different patterns

(Military Lug, IDL)

3) Universal (black) or Non-Marking

(Universal is most common)

MITCHELL INDUSTRIAL TIRE COMPANY, INC



**MADE IN
AMERICA**



- Made in USA (Chattanooga, TN)
- 100% Natural Rubber Compound
- Chip and Cut-Resistant compound extends tire life
- EL Rated

CUSHION/POB

SUPER SOLID SMOOTH

SIZE	CARRY CAP. 10MPH	WEIGHT	UNIVERSAL#	NON-MARKING #
9x5x5	1740	13	06060001	06060002
10x4x6-1/2	1400	12	06110001	06110002
10x5x6-1/2	1840	15	06130001	06130002
10x7x6-1/4	2750	22	06145001	06145002
10-1/2x7x6-1/2	2890	23	06200001	06200002
12x3-1/2x8	1370	14	06225001	06225002
12x4x8	1630	15	06230001	06230002
12x4-1/2x8	1890	17	06235001	06235002
12x5x8	2150	20	06238001	06238002
13x3-1/2x8	1430	15	06250001	06255002
13-1/2x5-1/2x8	2730	27	06270001	06270002
14x4-1/2x8	2120	22	06285001	06285002
14x5x10	2420	24	06295001	06295002
15x3-1/2x11-1/4	1620	17	06310001	06310002
15x4x11-1/4	1920	21	06315001	06315002
15x5x11-1/4	2520	26	06320001	06320002
15x6x11-1/4	3120	31	06325001	06325002
15x7x11-1/4	3720	37	06330001	06330002
15x8x11-1/4	4320	43	06335001	06335002
15x9x11-1/4	4920	45	06340001	06340002
16x3-1/2x12-1/8	1700	19	06370001	06370002
16x5x10-1/2	2730	30	06395001	06395002
16x6x10-1/2	3460	37	06400001	06400002
16x7x10-1/2	4200	43	06405001	06405002
16-1/4x5x11-1/4	2760	30	06415001	06415002
16-1/4x7x11-1/4	4190	44	06425001	06425002
18x6x12-1/8	3800	44	06485001	06485002
18x7x12-1/8	4620	51	06490001	06490002
18x8x12-18	5440	60	06495001	06495002
18x9x12-1/8	6270	68	06500001	06500002
18x10x12-1/8	7090	76	06505001	06505002
18x5x14	2920	34	06515001	06515002
20x8x15	5730	65	06535001	06535002
20x9x15	6570	76	06537001	06537002
21x7x15	5200	63	06605001	06605002
21x8x15	6130	74	06610001	06610002
22x8x16	6340	77	06645001	06645002
22x9x16	7310	88	06650001	06650002
22x12x16	10200	121	06665001	06665002
22x10x17-3/4	7630	95	06710001	06710002

MADE SOLID SINCE 1953



**MADE IN
AMERICA**



- Made in USA (Chattanooga, TN)
- 100% Natural Rubber Compound
- Chip and Cut-Resistant compound extends tire life
- EL Rated

CUSHION/POB

SUPER SOLID MILITARY LUG

SIZE	CARRY CAP. 10MPH	WEIGHT	UNIVERSAL #	NON-MARKING #
10x5x6-1/2	1840	15	06130101	06130102
10-1/2x5x5	1990	17	06170101	06170102
10-1/2x5x6-1/2	1950	17	06175101	06175102
10-1/2x6x5	2530	21	06185101	06185102
10-1/2x6x6-1/2	2420	20	06195101	06195102
13x4-1/2x8	2030	20	06255101	06255102
13-1/2x4-1/2x8	2080	21	06260101	06260102
13-1/2x5-1/2x8	2730	27	06270101	06270102
14x4-1/2x8	2120	22	06285101	06285102
14x5x10	2420	24	06295001	06295002
15x5x11-1/4	2520	26	06320101	06320102
15x6x11-1/4	3120	31	06325101	06325102
15-1/2x5x10	2670	29	06350101	06350102
15-1/2x6x10	3380	35	06355101	06355102
16x4-1/2x10-1/2	2360	26	06385101	06385102
16x5x10-1/2	2730	30	06395101	06395102
16x6x10-1/2	3460	37	06400101	06400102
16x7x10-1/2	4200	43	06405101	06405102
16-1/4x4x11-1/4	2040	25	06410101	06410102
16-1/4x5x11-1/4	2760	30	06415101	06415102
16-1/4x6x11-1/4	3480	36	06420101	06420102
16-1/4x7x11-1/4	4190	44	06425101	06425102
17x4-1/2x12-1/8	2480	30	06440101	06440102
17x5x12-1/8	2850	31	06445101	06440102
17x6x12-1/8	3580	39	06450101	06450102
17-3/4x5x12-1/8	2940	34	06465101	06465102
17-3/4x6x12-1/8	3760	42	06470101	06470102
18x5x12-1/8	2980	36	06480101	06480102
18x6x12-1/8	3800	44	06485101	06485102
18x7x12-1/8	4620	51	06490101	06490102
18x8x12-18	5440	60	06495101	06495102
18x9x12-1/8	6270	68	06500101	06500102
20x8x15	5730	65	06535101	06535102
20x9x15	6570	76	06537101	06630102
20x6x16	3920	47	06560101	06560102
20x8x16	5460	61	06570101	06560102
21x5x15	3330	44	06595101	06595102
21x6x15	4270	54	06600101	06600102
21x7x15	5200	63	06605101	06605102
21x8x15	6130	74	06610101	06610102

MITCHELL INDUSTRIAL TIRE COMPANY, INC

CUSHION/POB

SUPER SOLID MILITARY LUG CONTINUED

SIZE	CARRY CAP. 10MPH	WEIGHT	UNIVERSAL #	NON-MARKING #
21x9x15	7060	83	06615101	06615102
21x12x15	9850	119	06625101	06625102
22x5x16	3450	45	06630101	06630102
22x6x16	4420	57	06635101	06635102
22x7x16	5380	67	06640101	06640102
22x8x16	6340	77	06645101	06645102
22x9x16	7310	88	06650101	06650102
22x12x16	10200	121	06665101	06665102
22x6x17-3/4	4260	56	06690101	06690102
22x7x17-3/4	5100	56	06695101	06695102
26x5x20	3910	61	06735101	06735102
26x7x20	6100	87	06760101	06760102
28x7x22	6450	98	06790101	06790102



**MADE IN
AMERICA**



- Made in USA (Chattanooga, TN)
- Deep Lug design offers superior traction
- Tread design improves rider comfort
- Chip and cut resistant compound extends tire life

SUPER SOLID IDL

SIZE	CARRY CAP. 10MPH	WEIGHT	UNIVERSAL #	NON-MARKING #
10x5x6-1/2	1840	15	06130401	06130402
10-1/2x5x6-1/2	1950	16	06175401	06175402
13-1/2x4-1/2x8	2080	21	06260401	06260402
13-1/2x5-1/2x8	2730	26	06270401	06270402
14x4-1/2x8	2120	22	06285401	06285402
14x5x10	2420	24	06295401	06295402
15x5x11-1/4	2520	25	06320401	06320402
16x5x10-1/2	2730	30	06395401	06395402
16x6x10-1/2	3460	36	06400401	06400402
16x7x10-1/2	4200	43	06405401	06405402
16-1/4x5x11-1/4	2760	30	06415401	06415402
16-1/4x6x11-1/4	3480	36	06420401	06420402
16-1/4x7x11-1/4	4190	43	06425401	06425402
18x5x12-1/8	2980	36	06480401	06480402
18x6x12-1/8	3800	44	06485401	06485402
18x7x12-1/8	4620	49	06490401	06490402
18x8x12-1/8	5440	56	06495401	06495402
18x9x12-1/8	6270	66	06500401	06500402
21x6x15	4270	53	06600401	06400402
21x7x15	5200	61	06605401	06605402
21x8x15	6130	69	06610401	06610402
21x9x15	7060	82	06615401	06615402
22x8x16	6340	77	06645401	06645402
22x9x16	7310	85	06650401	06650402
22x12x16	10200	115	06665401	06665402
28x12x22	12220	164	06805401	06805402

MADE SOLID SINCE 1953



**MADE IN
AMERICA**



CUSHION/POB

ULTRA TRAC

SIZE	CARRY CAP. 10MPH	WEIGHT	UNIVERSAL#	NON-MARKING #
ULTRA TRAC LUG				
18x6x12-1/8	3800	48	06485201	06485202
18x7x12-1/8	4620	55	06490201	06485202
18x8x12-1/8	5440	64	06495201	06495202
21x7x15	5200	68	06605201	06605202
21x8x15	6130	78	06610201	06610202
22x9x16	7310	90	06650201	06650202
ULTRA TRAC SMOOTH				
SIZE	CARRY CAP. 10MPH	WEIGHT	UNIVERSAL#	NON-MARKING #
14x4-1/2x8	2120	24	06285301	06285302
16x5x10-1/2	2730	32	06395301	06395302
16x6x10-1/2	3460	39	06400301	06400302

Pioneers in US-Made Industrial Tires

Mitco is a tire manufacturing company with a longstanding reputation for producing high-performance, durable tires. Our commitment to quality and innovation has made us a leader in the industry.

70+

Years in the
Industry

28%

Lower
Wear Rate

98

Customer
Satisfaction

100%

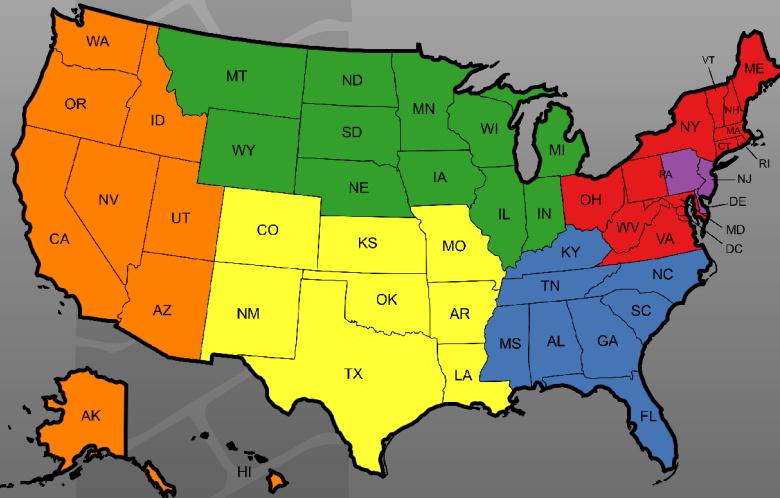
Natural Rubber
Compound

MITCHELL INDUSTRIAL TIRE COMPANY, INC

WARRANTIES

All products sold by MITCO are guaranteed to be free from defects in workmanship and materials. Any product found by us to have such a defect will be replaced or a reasonable adjustment or allowance will be made against the purchase of a new product, within our discretion. All other costs involved, including, but not limited to, labor, freight, service, taxes, and tariff surcharges are to be borne by the buyer. The buyer agrees that replacement or adjustment, as aforesaid, shall be the exclusive remedy and that MITCO shall not in any event be held liable for any special, indirect, or consequential damages. MITCO makes no other warranty, express or implied, and specifically excludes any and all warranties of MERCHANTABILITY and FITNESS for a particular purpose.

-  Alfred Robles
-  Tony Curtis
-  Ed Sheibley
-  Lisa Carr
-  Jeff Schnee Jr.
-  Blake Heidecker



Northeast Distribution Center
3041 Marwin Ave. Suite 200
Bensalem, PA 19020
Toll Free Sales: (800) 251-7226

Southwest Distribution Center
415 N Connally Dr
Elm Mott, TX 76640
Toll Free Sales: (800) 251-7226

West Coast Distribution Center
440 N Pioneer Ave. Suite 101
Woodland, CA 95776
Toll Free Sales: (800) 648-2699

Sales & Orders: 1-(800) 251-7226
More Product Information:
www.MITCO.com



INDUSTRIAL TIRE PROBLEM SOLVERS SINCE 1953

CHATTANOOGA TN

OOLETEWAH TN

BENSALEM PA

ELM MOTT TX

WOODLAND CA