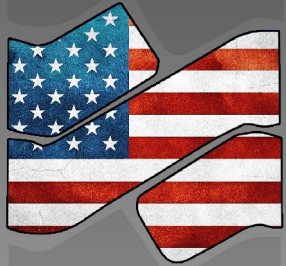


INDUSTRIAL TIRE PROBLEM SOLVERS SINCE 1953



MITCO

MADE SOLID SINCE 1953



2026 LISTBOOK



RESILIENT/PSS



CUSHION/POB



PNEUMATIC



UNDER CARRIAGE



RUBBER TRACKS

MITCHELL INDUSTRIAL TIRE COMPANY, INC

CHATTANOOGA TN

OOLETEWAH TN

BENSALEM PA

ELM MOTT TX

WOODLAND CA

MITCHELL INDUSTRIAL TIRE COMPANY, INC

RESILIENT/PSS

How Resilient Tires are Sized

(Also called "PSS", "Solid Air Tire", "Solid Pneumatic")

How a Resilient (PSS) Tires is Sized

Example:

750x15 (7.50x15)

Section Width 7.50 inches

Tire Inside Diameter (I.D.) is 15 inches

What you need to correctly identify a tire:

1) Tire Size

Examples: 750x15

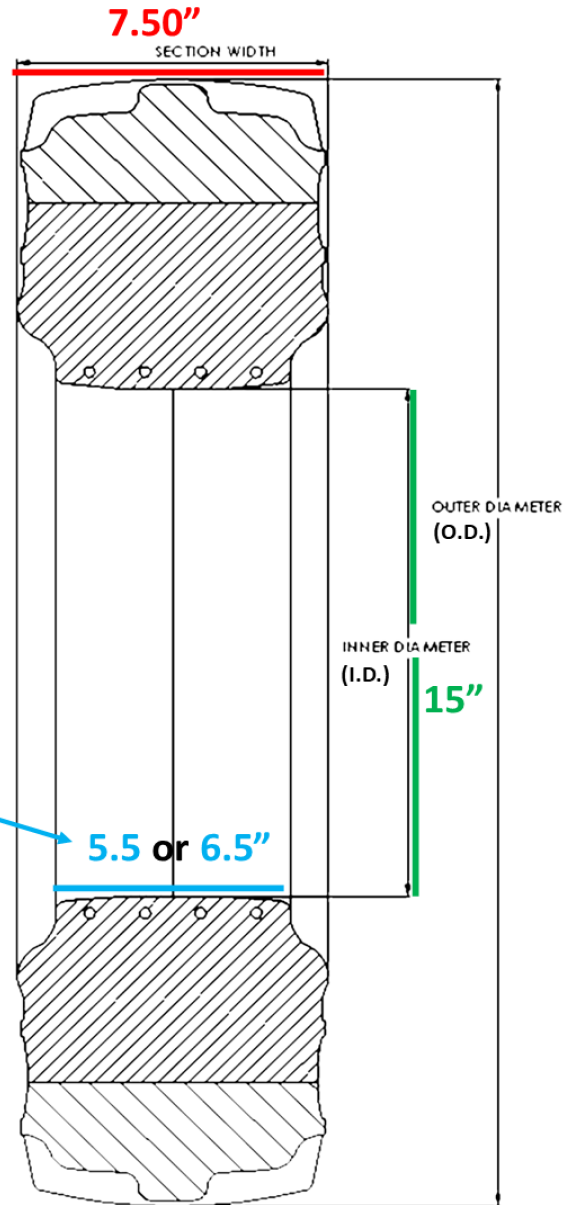
(Note: some size have different rim width)

(i.e. 750x15-5.5 or 750x15-6.5)

2) Traction or Smooth

(Traction is the most common)

3) Universal (black) or Non-Marking



Common Tire Widths	
Drive	Steer
18x7-8	15x4-1/2x8
650x10	500x8
700x12	600x9
300x15	700x12
250x15	700x12
28x9-15 (815x15)	650x10
815x15	650x10
700x15(4) Duals	700x12
1000x20	1000x20
1200x20	1200x20
1400x24	1400x24



**MITCO
Solid
Solver
(26)**



**GS Solid
General
Service
(24)**

MADE SOLID SINCE 1953



**MADE IN
AMERICA**



- Premium 3-Stage Design for increased heat dissipation
- Unique tread design improves stability and extends tire life
- Made for extreme environments
- 100% Natural Rubber Compound

RESILIENT/PSS

SOLID SOLVER XP3

Size	Rim Width	OD +/- 2%	Section Width	CARRY CAP. 6MPH	WEIGHT	UNIVERSAL #	NON-MARKING
15x4.5-8	3	380	108	2040	20	26903301	26903302
15x5.5-9	4.5	384	129	2940	23	26900301	26900302
5.00-8	3	454	123	2590	36	26218301	26218302
18x7-8	4.33	456	154	3750	47	26915301	26915302
18x7-8 Click	4.33	456	154	3750	47	26916301	26916302
200-50-10	6.5	460	199	5340	54	26845301	26845302
6.00-9	4	530	136	4130	57	26300301	26300302
21x8-9	6	527	184	6150	76	26925301	26925302
6.50-10	5	582	170	5680	85	26330301	26330302
6.50-10 Click	5	582	170	5680	85	26331301	26331302
7.00-12	5	661	173	6390	109	26400301	26400302
7.00-12 Click	5	661	173	6390	109	26401301	26401302
7.00-15	5.5	742	193	7700	141	26410301	26410302
7.00-15 Click	5.5	742	193	7700	141	26411301	26411302
8.15-15	7	710	220	9200	143	26580301	26580302
8.15-15 Click	7	710	220	9200	143	26581301	26581302
7.50-15	5.5	767	192	8070	155	26520301	26520302
2.50-15	7	739	247	10440	178	26950301	26950302
2.50-15 Click	7	739	247	10440	178	26953301	26953302
250x15-7.50" EF click	7.5	739	247	10440	178	26953301	26953302
8.25-15	6.5	828	219	10590	215	26610301	26610302
8.25-15 Click	6.5	828	219	10590	215	26611301	26611302
3.00-15	8	828	266	13030	258	26955301	26955302
3.00-15 Click	8	828	266	13030	258	26956301	26956302

MITCHELL INDUSTRIAL TIRE COMPANY, INC



**MADE IN
AMERICA**



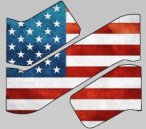
- Made in USA (Chattanooga, TN)
- 100% natural rubber compound
- Multistage design reduces heat build up
- Cost-effective daily operation tire

RESILIENT/PSS

SOLID SOLVER

SIZE	RIM WIDTH	OD +/-%	SECTION WIDTH	CARRY CAP. 6MPH	WEIGHT	UNIVERSAL #	NON-MARKING #	Click
15x4.5-8	3	14.5	4.5	1260	20	26903101	26903102	Click
400x6 Rib	3.25	10.5	4	-	8	26140401	26140402	
400x8 Rib	3.75	16.1	4.5	-	26	26165401	26165402	
16x6-8	4.33	15.9	5.3	1310	34	26910101	26910102	Click
500x8	3	18	4.8	-	37	26218101	26218102	
500x8	3.25	18	4.8	-	37	26220101	26220102	
500x8Rib	3.75	18	5.2	-	40	26240401	26240402	
18x7-8	4.33	18.1	6.4	3750	49	26915101	26915102	Click
600x9 SMOOTH	4	21	5.7	4230	60	26300001	26300002	
600x9	4	21	5.7	4230	60	26300101	26300102	Click
21x8-9	6	19.75	7.25	6190	72	26925101	26925102	Click
650x10	5	23	6.8	5810	82	26330101	26330102	Click
23x9-10	6.5	22	8	7525	98	26930101	26930102	Click
23x10-12	8	23	8.8	8820	115	26935101	26935102	
700x12 SMOOTH	5	26.1	6.9	6640	110	26400001	26400002	Click
700x12	5	26.1	6.9	6640	110	26400101	26400102	Click
27x10-12	8	26	9.75	4320	159	26940101	26940102	Click
700x15-(29x8-15)	5.5	29.1	7.5	7905	139	26410101	26410102	
700x15	6	29.1	7.64	-	152	26420101	-	
750x15	5.5	29.5	7.34	8630	156	26510101	26510102	
750x15	6.5	29.5	7.87	10195	156	26520101	26520102	
750x16	5.5	31.25	7.25	8615	175	26530101	26530102	
800x16	5.5	32.5	8.1	8800	195	26560101	26560102	
815x15-(28x9-15)	7	28	8.6	9000	139	26580101	26580102	Click
825x15 SMOOTH	6.5	32.5	8.8	10875	215	26610001	26610002	Click
825x15	6.5	32.5	8.8	10875	215	26610101	26610102	
28x12.5-15	9.75	27.75	11.62	10085	196	26835101	26835102	Click
825x15	6.5	32.5	8.8	10875	215	26610101	26610102	Click
200x50-10	6.5	17	10	9530	51	26845101	26845102	Click
250x15	7	29	9.6	9615	178	26950101	26950102	
250x15	7.5	29	10	10300	178	26952101	26952102	Click
300x15	8	32.3	10.8	13190	257	26955101	26955102	Click
10.00x20	7	39.25	9	16800	309	26780101	-	
10.00x20	7.5	39.25	9	16900	309	26785101	26785102	
10.00x20	8	39.25	9	17015	309	26790101	26790102	
12.00x20	8	42.3	10	18605	417	26810101	26810102	
12.00x20	8.5	42.3	10	18605	417	26815101	26815102	

MADE SOLID SINCE 1953



MADE IN
AMERICA



- Made in USA (Chattanooga, TN)
- Apertures allow for improved heat dissipation
- Unique sidewall apertures improve ride comfort
- 100% natural rubber compound

RESILIENT/PSS

SOLID SOLVER X-FLEX

SIZE	RIM WIDTH	O.D. -2%	+/- SECTION WIDTH	CARRY CAP. 6MPH	WEIGHT	UNIVERSAL#	NON-MARKING #
500x8	3	17.75	5	2670	32	26218901	26218902
600x9	4	20.5	6.25	4230	60	26300901	26300902
600X9EFClick	4	20.5	6.25	4230	60	26301901	-
650x10	5	22.5	7.12	5810	76	26330901	26330902
700x12	5	26.25	7.75	6640	110	26400901	26400902
700X12EFClick	5	26.25	7.75	6640	97	26401901	26401902
815X15	7	27	7.25	9000	136	26580901	26580902
815x15EFClick	7	27	7.25	9000	144	26581901	-
825X15	6.5	31	7.5	10875	178	26610901	-
825x15EFClick	6.5	31	7.5	10875	178	26611901	26611902
300x15	8	32	11	13190	257	26955901	-
300x15EFClick	8	32	11	13190	257	26956901	-
250X15	7	28	9.5	9615	160	26950901	-
250X15EFClick	7	28	9.5	9615	160	26951901	-

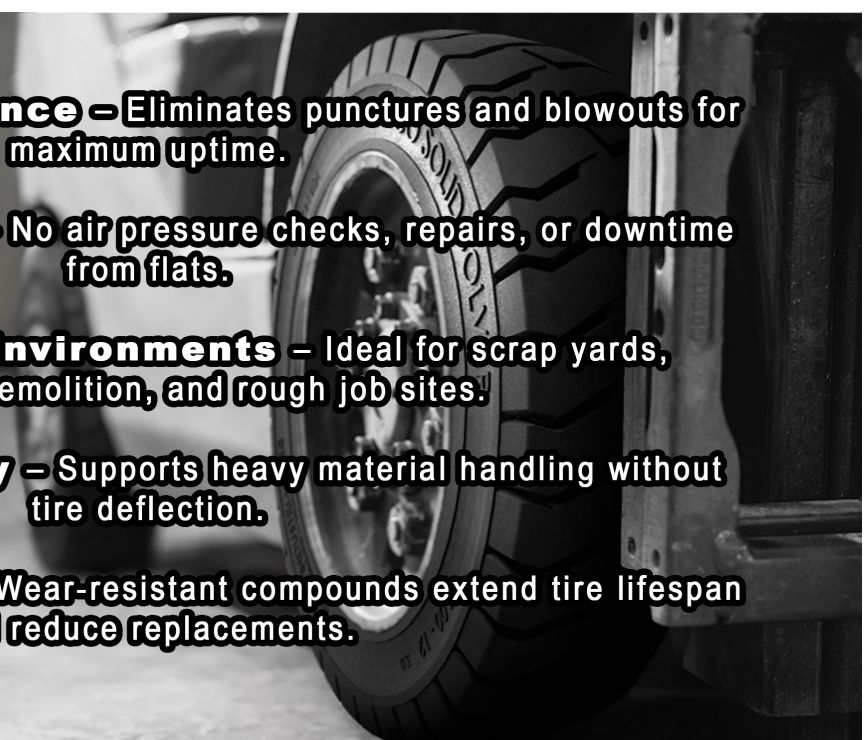
Flat-Proof Performance – Eliminates punctures and blowouts for maximum uptime.

Zero Maintenance – No air pressure checks, repairs, or downtime from flats.

Built for Harsh Environments – Ideal for scrap yards, recycling, demolition, and rough job sites.

High Load Capacity – Supports heavy material handling without tire deflection.

Long Service Life – Wear-resistant compounds extend tire lifespan and reduce replacements.



MITCHELL INDUSTRIAL TIRE COMPANY, INC



MADE IN
AMERICA



- Premium 3-Stage Design for increased heat dissipation
- Unique tread design improves stability and extends tire life
- Made for extreme environments
- 100% Natural Rubber Compound

RESILIENT/PSS

SOLID SOLVER SKID STEER

SIZE	DESCRIPTION	WEIGHT	PRODUCT#
31x10-20/7.5"	Solid Solver R4 TIRE ONLY	131	26840801
31x10-20/7.5"	Solid solver R4 Left APER 8 on 8 TWA	246	76840LA1
31x10-20/7.5"	Solid Solver R4 Right APER 8 on 8 TWA	246	76840RA1
31x10-20/7.5"	Solid Solver R4 Left APER 8 on 10.81 TWA	240	76840LB1
31x10-20/7.5"	Solid Solver R4 Right APER 8 on 10.81 TWA	240	76840RB1
33x12-20	Solid Solver R4 TIRE ONLY	186	26860801
33X12-20	Solid Solver R4 LEFT APER 8 on 8 TWA	301	76860LA1
33x12-20	Solid Solver R4 RIGHT APER 8 on 8 TWA	301	76860RA1
33X12-20	Solid Solver R4 APER LEFT 8 on 10.81 TWA	295	76860LB1
33X12-20	Solid Solver R4 APER RIGHT 8 on 10.81 TWA	295	76860RB1
31x10-20/7.5"	Solid Solver APER SMOOTH TIRE ONLY	112	26840001
31x10-20/7.5"	Solid Solver APER SMOOTH 8 on 8 TWA	281	768400A1
31X10-207.5"	Solid Solver APER SMOOTH 8 on 10.81 TWA	221	768400B1
33x12-20/7.5"	Solid Solver APER SMOOTH TIRE ONLY	209	26861001
33X12-20/7.5"	Solid Solver APER SMOOTH 8 on 8 TWA	324	768610A1
33X12-20/7.5"	Solid Solver APER SMOOTH 8 on 10.81 TWA	324	768610B1

Built for Tough Job Sites – Performs reliably on dirt, gravel, mud, concrete, and uneven terrain.

Heavy-Duty Tread Patterns – Aggressive designs deliver strong traction and control in demanding conditions.

Long-Lasting Tread Life – Premium compounds designed for extended wear and consistent performance.

High Load-Carrying Capacity – Supports lifting, stacking, and material transport with confidence.

Reduced Downtime – Durable construction helps minimize flats and tire replacements.



MADE SOLID SINCE 1953

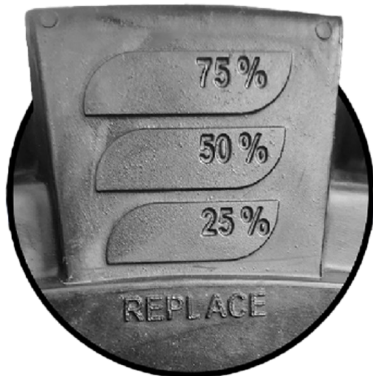


- Robust 3-Stage Design promotes maximum heat dissipation and tire life
- Unique tread design allows traction throughout tire life
- Premium compound for the most extreme environments
- Easy-to-read wear indicator

RESILIENT/PSS

VORTEX

Size	Weight	Universal #	Gray Non-marking #
500x8 3"	36	28218101	28218102
600x9 4"	60	28300101	28300102
650x10 5"	79	28330101	28330102
700x12 5"	108	28400101	28400102
700x15 5.5"	125	28410101	28410102
28x9 15 7"	131	28580101	28580102
825x15 6.5"	201	28610101	28610102
200X50-10 6.5"	54	-	28845102
15X5-1/2-9 4"	24	28900101	28900102
15x4-1/2-8 3"	21	28904101	28904102
16x6-8 4.33"	34	28910101	-
18x7-8 4.33"	45	28915101	28915102
250x15 7"	152	28950101	-
250x15 7.5"	153	28952101	-
300x15 8"	241	28955101	28955102
15x5-1/2-9 4" Click	24	28900131	28900132
18x7-8 4.33" Click	45	28915131	28916102



Easy to read Wear Indicator provides the ability to track performance and plan future maintenance



Cut resistant compound with open shoulder design and deep tread for maximum traction

MITCHELL INDUSTRIAL TIRE COMPANY, INC

RESILIENT/PSS



GS SOLID

SIZE	RIM WIDTH	O.D. 2%	+/- SECTION WIDTH	CARRY CAP. MPH	6	WEIGHT	UNIVERSAL #	GRAY NON- MARKING #	UNIVERSAL #	GRAY NON- MARKING #
400x8	3	15.75	4.25	2105		24	24145101	-	22145101	-
16x6-8	4.33	15.5	6	2780		33	24910101	24910102	22910101	22910102
18x7-8	4.33	17.5	4.75	4695		49	24915101	24915102	22915101	22915102
500x8	3	17.75	5	2400		39	24218101	24218102	22218101	22218102
600x9	4	20	5.5	4210		58	24300101	24300102	22300101	22300102
21x8-9	6	20	7	6190		69	24925101	24925102	22925101	22925102
650x10	5	22	6	5800		75	24330101	24330102	22330101	22330102
650x10	5.5	22	6	5800		75	24340101	-	22340101	-
650x16	5.5					134	24380101	-	22380101	-
200x50-10	6.5	17	7.5	5400		53	24845101	24845102	22845101	22845102
23x9-10	6.5	22.25	7.79	7525		98	24930101	24930102	22930101	22930102
23x10-12	8	22.75	8.5	8820		115	24935101	24935102	22935101	22935102
700x12	5	25.25	6.25	6640		100	24400101	24400102	22400101	22400102
825x12	5	27.75	7.5	7500		139	24405101	-	22405101	-
27x10-12	8	26	9.5	8400		158	24940101	24940102	22940101	22940102
700x15 - (29x8-15)	5.5	27.5	8.5	7850		137	24410101	24410102	22410101	22410102
700x15	6	28	6.6	7850		126	24415101	24415102	22415101	22415102
750x15	5.5	29.5	7.25	8630		150	24510101	-	22510101	-
750x15	6.5	29.5	7.25	9600		152	24520101	-	22520101	-
815x15 - (28x9-15)	6.5	29.5	7.25	9000		152	24570101	24570102	22570101	22570102
815x15 - (28x9-15)	7	26.5	7.5	9100		118	24580101	24580102	22580101	22580102
825x15	6.5	31.25	7.75	10880		195	24610101	24610102	22610101	22610102
250x15	7	27.25	8.5	9615		165	24950101	24950102	22950101	22950102
250x15	7.5	28	9	9615		165	24952101	24952102	22952101	22952102
300x15	8	32	11	13190		239	24955101	24955102	22955101	22955102
28x12.5-15	9.75	27	12	12580		196	24835101	-	22835101	-
32x12.1-15	9.75	31	11.5	16550		272	24840101	24840102	22840101	22840102
750x16	5.5	31.75	7.2	8615		173	24530101	-	22530101	-
800x16	5.5	32	7.75	8750		190	24560101	-	22560101	-
900x20	6.5	39	9	10000		335	24710101	-	22710101	-
1000x20	7	39	8.75	17015		332	24780101	-	22780101	-
1000x20	7.5	39	8.75	17015		330	24785101	-	22785101	-
1000x20	8	40.39	9	17015		338	24790101	24790102	22790101	22790102
1200x20	8	42	9.5	17546		474	24810101	24810102	22810101	22810102
1200x20	8.5	42	11.63	17546		474	24810101	24810102	22810101	22810102
1400x24	10	50	13	26130		788	24870101	24870102	22870101	22870102

MADE SOLID SINCE 1953



RESILIENT/PSS

CL406S Skid Steer

SIZE	DESCRIPTION	WEIGHT	PRODUCT#
30X10-20/7.5"	CL406STireOnly,ConcreteAsphaltTread	156	24382101
TWA30X10-20/7.5"	CL406S8on8TWA	271	76382GA1
TWA30x10-20/7.5"	CL406S8on10.81TWA	265	76382GB1
33X10.75-20/7.5"	CL406STireOnly,ConcreteAsphaltTread	219	24562101
TWA33X10.75-20/7.5"	CL406S8on8TWA	334	76562GA1
TWA33x10.75-20/7.5"	CL406S8on10.81TWA	328	76562GB1

SR61

SIZE	RIM WIDTH	SECTION WIDTH	TREAD DEPTH	CARRY CAP. 6MPH	WEIGHT	UNIVERSAL #	Click
500x8	3	4.84	28/32	960	37	24218201	Click
18x7	4.33	5.98	23/32	1870	46	24915201	Click
600x9	4	5.55	32/32	1870	58	24300201	Click
650x10	5	6.14	33/32	2095	75	24330201	
700x12	5	6.65	35/32	2390	98	24400201	Click
825x15	6.5	7.87	40/32	3910	191	24610201	Click
28x9	7	8.27	31/32	3125	128	24580201	
300x15	8	9.53	43/32	5310	235	24955201	Click
1400x24	10	13.47	57/32	9370	904	24870201	
1400x25	11.3	15	57/32	10175	947	24875201	

MITCHELL INDUSTRIAL TIRE COMPANY, INC

RESILIENT/PSS



SR2

SIZE	DESCRIPTION	WEIGHT	PRODUCT#	PRODUCT#
31x10-20/7.5"	Traction Non Aperture Tire Only	152	24837SR2	22837SR2
31x10-20/7.5"	Traction Aperture Tire Only	150	24837SRH	22837SRH
33x12-20	Traction Non Aperture Tire Only	220	24842SR2	22842SR2
33X12-20	Traction Aperture Tire Only	218	24842SRH	22842SRH
385/65-24	Traction Aperture Tire Only	451	24867SRH	22867SRH
36x14-20/7.5"	Traction Non Aperture Tire Only	299	24844SR2	22844SR2
36x14-20/7.5"	Traction Aperture Tire Only	293	24844SRH	22844SRH
31x10-20/7.5"	Smooth Non Aperture Tire Only	166	24837SM0	22837SM0
31X10-20/7.5"	Smooth Aperture Tire Only	163	24837SMH	22837SMH
33x12-20/7.5"	Smooth Non Aperture Tire Only	233	24842SM0	22842SM0
33X12-20/7.5"	Smooth Aperture Tire Only	225	24842SMH	22842SMH

SR2 TWA 31X10-20/7.5" (10X16.5)

DESCRIPTION	WEIGHT	PRODUCT #
8on8 Aperture Traction Left	265	76837AL1
8on8 Aperture Traction Right	265	76837AR1
8on10.81 Aperture Traction Left	265	76837BL1
8on10.81 Aperture Traction Right	259	76837BR1
8on8 Non Aperture Traction Left	267	76837LA1
8on8 Non Aperture Traction Right	267	76837RA1
8on10.81 Non Aperture Traction Right	261	76837RB1
8on10.81 Non Aperture Traction Left	267	76837LB1
8on8 SMOOTH Aperture	278	76837SA1
8on10.81 SMOOTH Aperture	272	76837SB1
8on8 Non Aperture SMOOTH	281	76837OA1
8on10.81 Non Aperture SMOOTH	275	76837OB1

SR2 TWA 33X12-20/7.5" (12X16.5)

DESCRIPTION	WEIGHT	PRODUCT#
8on8 Aperture Traction Left	265	76842AL1
8on8 Aperture Traction Right	333	76842AR1
8on10.81 Aperture Traction Left	327	76842BL1
8on10.81 Aperture Traction Right	327	76842BR1
8on8 Non Aperture Traction Left	335	76842SL1
8on8 Non Aperture Traction Right	335	76842SR1
8on10.81 Non Aperture Traction Right	329	76842TR1
8on10.81 Non Aperture Traction Left	335	76842TL1
8on8 SMOOTH Aperture	340	76842AM1
8on10.81 SMOOTH Aperture	334	76842AN1
8on8 Non Aperture SMOOTH	348	76842SM1
8on10.81 Non Aperture SMOOTH	342	76842SN1

SR2 TWA 36X14-20/7.5"

DESCRIPTION	WEIGHT	PRODUCT #
8 on 8 Non Aperture Traction Left	414	76844LA1
8 on 8 Non Aperture Traction Right	414	76844RA1
8 on 10.81 Non Aperture Traction Left	402	76844LL1
8 on 10.81 Non Aperture Traction Right	408	76844RR1

SR2 TWA 36X14-20/7.5" (CONTINUED)

DESCRIPTION	WEIGHT	PRODUCT#
8 on 8 Aperture Traction Left	408	76844LB1
8 on 8 Aperture Traction Right	408	76844RB1
8 on 10.81 Aperture Traction Left	408	76844LC1
8 on 10.81 Aperture Traction Right	402	76844RC1

MADE SOLID SINCE 1953



RESILIENT/PSS

SOLIDPRO

SIZE	RIM WIDTH	OD +/- 2%	SECTION WIDTH	TREAD DEPTH	CARRY CAP. 6 MPH	WEIGHT	UNIVERSAL #	NON MARKING #	CLICK #
400x8	3	15.9	4.6	21/32	1896	26	27145MPT		27145M31
400x8	3.75	15.9	4.6	21/32	1896	27	27165MPT		27165M31
500x8	3	18	4.9	25/32	2833	35	27218MPT	27218MP2	27218M31
500x8	3.75	18	4.9	25/32	2883	36	27240MPT	27240MP2	
600x9	4	20.9	5.5	29/32	3770	58	27300MPT	27300MP2	27300M31
650x10	5	21.5	6.8	31/32	4685	79	27330MPT	27330MP2	
700x12	5	25.7	6.8	1 1/16	5831	102	27400MPT	27400MP2	27400M31
700x15	5.5	28.9	6.9	1 1/16	7088	125	27410MPT	27410MP2	27410M31
700x15	6	28.9	6.9	1 1/16	7088	126	27415MPT		
750x10	5	24.8	7.6	1 3/32	6140	133	27450MPT		27460M31
750x10	5.5	24.8	7.6	1 3/32	6140	113	27460MPT		
750x15	5.5	24.8	7.6	1 3/32	7804	149	27510MPT		
750x15	6	29.7	7.8	1 3/16	7804	149	27515MPT		
750x15	6.5	29.7	7.8	1 3/16	7804	150	27520MPT		27520M31
750x16	5.5	30.7	7.8	1 3/16	7937	156	27530MPT	27530MP2	
750x16	6	30.7	7.8	1 3/16	7937	157	27535MPT		
800x16	5.5	31.8	8.1	1 11/32	8378	181	27560MPT		
815x15	7	27.4	8.3	31/32	6889	132	27580MPT	27580MP2	27580M31
825x15	5.5	31.8	8	1 11/32	9480	180	27600MPT		27610M31
825x15	6.5	31.8	8	1 11/32	9480	181	27610MPT	27610MP2	
825x20	6	37.6	8.7	31/32	8774	263	27655MPT		
900x16	5.5	33.5	9.1	1 3/32	8841	231	27705MPT		
900x20	6.5	39.6	9.1	1 1/2	10814	308	27730MPT		
900x20	7	39.6	9.1	1 1/2	10814	309	27735MPT	27735MP2	
1000x20	7	40.3	10.2	1 9/16	12015	357	27780MPT		
1000x20	7.5	40.3	10.2	1 9/16	12015	359	27785MPT		
1200x20	8	43	11.7	1 7/8	15135	482	27810MPT	27810MP2	
1200x20	8	-	-	-	-	460	27810001	27810002	
1200x20	8.5	43	11.7	1 7/8	15135	484	27815MPT		
1200x20	10	43	11.7	1 7/8	15620	495	27818MPT	27818MP2	
1200x20 Smooth	10	-	-	-	-	460	27818001		
1200x24	8	47	11.7	1 7/8	16105	546	27820MPT		
1200x24	8.5	47	11.7	1 7/8	16105	547	27825MPT		
28x12.5-15	9.75	28	12.2	28/32	11056	205	27835MPT	27835MP2	27835M31
355/65-15 9.75	9.75	32.4	11.8	1 5/32	14176	282	27841MPT		
200x50-10 6.5	6.5	18	7.8	20/32	4938	54	27845MPT	27845MP2	

MITCHELL INDUSTRIAL TIRE COMPANY, INC

CUSHION/POB

How Cushion Tires are Sized

How a Cushion (Press-On) Solid Tire is Sized (Also know as "Press On Band", "POB")

Super Solid IDL SM

Example: 21 x 7 x 15

Wide Track SM - Lug



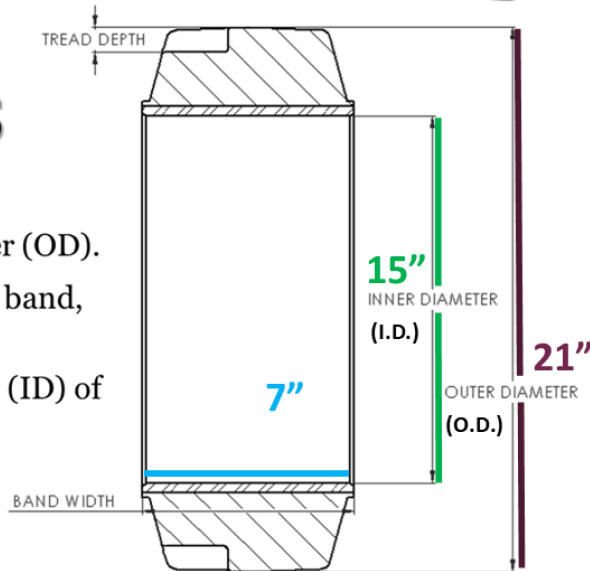
MITCO Super Solid (06)

Wide Track (WT) (04)



TIRE SIZE:
21X7X15

- **21"** is the outside diameter (OD).
- **7"** is the width of the steel band, not the width of the tread
- **15"** is the inside diameter (ID) of the tire.



What you need to correctly identify a tire:

Common Tire Widths	
Drive	Steer
18x6x12-1/8	14x4-1/2x8
18x8x12-18	16x5x10-1/2
18x6x12-1/8	16x6x10-1/2
21x7x15	16x6x10-1/2
21x8x15	16-1/4x5x11-1/4
22x9x16	16-1/4x6x11-1/4
21x7x15	16x5x10-1/2
21x8x15	18x6x12-1/8
21x9x15	18x6x12-1/8
22x12x16	18x7x12-1/8
22x14x16	18x8x12-1/8

1) Size

Examples:

21x7x15

2) Smooth or Traction

Some traction available in different patterns

(Military Lug, IDL)

3) Universal (black) or Non-Marking

(Universal is most common)

MADE SOLID SINCE 1953



**MADE IN
AMERICA**



- Made in USA (Chattanooga, TN)
- 100% Natural Rubber Compound
- Chip and Cut-Resistant compound extends tire life
- EL Rated

CUSHION/POB

SUPER SOLID SMOOTH

SIZE	CARRY CAP. 10MPH	WEIGHT	UNIVERSAL#	NON-MARKING #
9x5x5	1740	13	06060001	06060002
10x4x6-1/2	1400	12	06110001	06110002
10x5x6-1/2	1840	15	06130001	06130002
10x7x6-1/4	2750	22	06145001	06145002
10-1/2x7x6-1/2	2890	23	06200001	06200002
12x3-1/2x8	1370	14	06225001	06225002
12x4x8	1630	15	06230001	06230002
12x4-1/2x8	1890	17	06235001	06235002
12x5x8	2150	20	06238001	06238002
13x3-1/2x8	1430	15	06250001	06255002
13-1/2x5-1/2x8	2730	27	06270001	06270002
14x4-1/2x8	2120	22	06285001	06285002
14x5x10	2420	24	06295001	06295002
15x3-1/2x11-1/4	1620	17	06310001	06310002
15x4x11-1/4	1920	21	06315001	06315002
15x5x11-1/4	2520	26	06320001	06320002
15x6x11-1/4	3120	31	06325001	06325002
15x7x11-1/4	3720	37	06330001	06330002
15x8x11-1/4	4320	43	06335001	06335002
15x9x11-1/4	4920	45	06340001	06340002
16x3-1/2x12-1/8	1700	19	06370001	06370002
16x5x10-1/2	2730	30	06395001	06395002
16x6x10-1/2	3460	37	06400001	06400002
16x7x10-1/2	4200	43	06405001	06405002
16-1/4x5x11-1/4	2760	30	06415001	06415002
16-1/4x7x11-1/4	4190	44	06425001	06425002
18x6x12-1/8	3800	44	06485001	06485002
18x7x12-1/8	4620	51	06490001	06490002
18x8x12-18	5440	60	06495001	06495002
18x9x12-1/8	6270	68	06500001	06500002
18x10x12-1/8	7090	76	06505001	06505002
18x5x14	2920	34	06515001	06515002
20x8x15	5730	65	06535001	06535002
20x9x15	6570	76	06537001	06537002
21x7x15	5200	63	06605001	06605002
21x8x15	6130	74	06610001	06610002
22x8x16	6340	77	06645001	06645002
22x9x16	7310	88	06650001	06650002
22x12x16	10200	121	06665001	06665002
22x10x17-3/4	7630	95	06710001	06710002

MITCHELL INDUSTRIAL TIRE COMPANY, INC



**MADE IN
AMERICA**



- Made in USA (Chattanooga, TN)
- 100% Natural Rubber Compound
- Chip and Cut-Resistant compound extends tire life
- EL Rated

CUSHION/POB

SUPER SOLID MILITARY LUG

SIZE	CARRY CAP. 10MPH	WEIGHT	UNIVERSAL #	NON-MARKING #
10x5x6-1/2	1840	15	06130101	06130102
10-1/2x5x5	1990	17	06170101	06170102
10-1/2x5x6-1/2	1950	17	06175101	06175102
10-1/2x6x5	2530	21	06185101	06185102
10-1/2x6x6-1/2	2420	20	06195101	06195102
13x4-1/2x8	2030	20	06255101	06255102
13-1/2x4-1/2x8	2080	21	06260101	06260102
13-1/2x5-1/2x8	2730	27	06270101	06270102
14x4-1/2x8	2120	22	06285101	06285102
14x5x10	2420	24	06295001	06295002
15x5x11-1/4	2520	26	06320101	06320102
15x6x11-1/4	3120	31	06325101	06325102
15-1/2x5x10	2670	29	06350101	06350102
15-1/2x6x10	3380	35	06355101	06355102
16x4-1/2x10-1/2	2360	26	06385101	06385102
16x5x10-1/2	2730	30	06395101	06395102
16x6x10-1/2	3460	37	06400101	06400102
16x7x10-1/2	4200	43	06405101	06405102
16-1/4x4x11-1/4	2040	25	06410101	06410102
16-1/4x5x11-1/4	2760	30	06415101	06415102
16-1/4x6x11-1/4	3480	36	06420101	06420102
16-1/4x7x11-1/4	4190	44	06425101	06425102
17x4-1/2x12-1/8	2480	30	06440101	06440102
17x5x12-1/8	2850	31	06445101	06440102
17x6x12-1/8	3580	39	06450101	06450102
17-3/4x5x12-1/8	2940	34	06465101	06465102
17-3/4x6x12-1/8	3760	42	06470101	06470102
18x5x12-1/8	2980	36	06480101	06480102
18x6x12-1/8	3800	44	06485101	06485102
18x7x12-1/8	4620	51	06490101	06490102
18x8x12-18	5440	60	06495101	06495102
18x9x12-1/8	6270	68	06500101	06500102
20x8x15	5730	65	06535101	06535102
20x9x15	6570	76	06537101	06630102
20x6x16	3920	47	06560101	06560102
20x8x16	5460	61	06570101	06560102
21x5x15	3330	44	06595101	06595102
21x6x15	4270	54	06600101	06600102
21x7x15	5200	63	06605101	06605102
21x8x15	6130	74	06610101	06610102

MADE SOLID SINCE 1953

SUPER SOLID MILITARY LUG CONTINUED

SIZE	CARRY CAP. 10MPH	WEIGHT	UNIVERSAL #	NON-MARKING #
21x9x15	7060	83	06615101	06615102
21x12x15	9850	119	06625101	06625102
22x5x16	3450	45	06630101	06630102
22x6x16	4420	57	06635101	06635102
22x7x16	5380	67	06640101	06640102
22x8x16	6340	77	06645101	06645102
22x9x16	7310	88	06650101	06650102
22x12x16	10200	121	06665101	06665102
22x6x17-3/4	4260	56	06690101	06690102
22x7x17-3/4	5100	56	06695101	06695102
26x5x20	3910	61	06735101	06735102
26x7x20	6100	87	06760101	06760102
28x7x22	6450	98	06790101	06790102



**MADE IN
AMERICA**



- Made in USA (Chattanooga, TN)
- Deep Lug design offers superior traction
- Tread design improves rider comfort
- Chip and cut resistant compound extends tire life

SUPER SOLID IDL

SIZE	CARRY CAP. 10MPH	WEIGHT	UNIVERSAL #	NON-MARKING #
10x5x6-1/2	1840	15	06130401	06130402
10-1/2x5x6-1/2	1950	16	06175401	06175402
13-1/2x4-1/2x8	2080	21	06260401	06260402
13-1/2x5-1/2x8	2730	26	06270401	06270402
14x4-1/2x8	2120	22	06285401	06285402
14x5x10	2420	24	06295401	06295402
15x5x11-1/4	2520	25	06320401	06320402
16x5x10-1/2	2730	30	06395401	06395402
16x6x10-1/2	3460	36	06400401	06400402
16x7x10-1/2	4200	43	06405401	06405402
16-1/4x5x11-1/4	2760	30	06415401	06415402
16-1/4x6x11-1/4	3480	36	06420401	06420402
16-1/4x7x11-1/4	4190	43	06425401	06425402
18x5x12-1/8	2980	36	06480401	06480402
18x6x12-1/8	3800	44	06485401	06485402
18x7x12-1/8	4620	49	06490401	06490402
18x8x12-1/8	5440	56	06495401	06495402
18x9x12-1/8	6270	66	06500401	06500402
21x6x15	4270	53	06600401	06400402
21x7x15	5200	61	06605401	06605402
21x8x15	6130	69	06610401	06610402
21x9x15	7060	82	06615401	06615402
22x8x16	6340	77	06645401	06645402
22x9x16	7310	85	06650401	06650402
22x12x16	10200	115	06665401	06665402
28x12x22	12220	164	06805401	06805402

MITCHELL INDUSTRIAL TIRE COMPANY, INC

CUSHION/POB



MADE IN
AMERICA



ULTRA TRAC



WIDE TRACK

ULTRA TRAC

SIZE	CARRY CAP. 10MPH	WEIGHT	UNIVERSAL#	NON-MARKING #
ULTRA TRAC LUG				
18x6x12-1/8	3800	48	06485201	06485202
18x7x12-1/8	4620	55	06490201	06485202
18x8x12-1/8	5440	64	06495201	06495202
21x7x15	5200	68	06605201	06605202
21x8x15	6130	78	06610201	06610202
22x9x16	7310	90	06650201	06650202
ULTRA TRAC SMOOTH				
SIZE	CARRY CAP. 10MPH	WEIGHT	UNIVERSAL#	NON-MARKING #
14x4-1/2x8	2120	24	06285301	06285302
16x5x10-1/2	2730	32	06395301	06395302
16x6x10-1/2	3460	39	06400301	06400302

WIDE TRACK LUG

SIZE	CARRY CAP. 6MPH	WEIGHT	UNIVERSAL #	GRAY NON-MARKING #
10x5x6-1/2	2072	16	04130101	04130102
13-1/2x5-1/2x8	3086	28	04270101	04270102
14x4-1/2x8	2403	23	04285101	04285102
16x5x10-1/2	3086	30	04395101	04395102
16x6x10-1/2	3924	39	04400101	04400102
16-1/4x5x11-1/4	3119	31	04415101	04415102
16-1/4x6x11-1/4	3924	39	04420101	04420102
16-1/4x7x11-1/4	4740	46	04425101	04425102
18x5x12-1/8	3373	39	04480101	04480102
18x6x12-1/8	4299	47	04485101	04485102
18x7x12-1/8	5225	54	04490101	04490102
18x8x12-1/8	6151	64	04495101	04495102
18x9x12-1/8	7088	77	04500101	04500102
20x8x16	6151	63	04570101	04570102
21x6x15	5181	54	04600101	04600102
21x7x15	5886	68	04605101	04605102
21x8x15	6922	80	04610101	04610102
22x8x16	7187	77	04645101	04645102
22x9x16	8267	95	04650101	04650102
22x12x16	11541	132	04665101	04665102

MADE SOLID SINCE 1953



CUSHION/POB

WIDE TRACK SMOOTH

SIZE	CARRY CAP. 6MPH	WEIGHT	UNIVERSAL #	Grey NON-MARKING #	UNIVERSAL #	Grey NON-MARKING #
9x5x5	1962	14	04060001	04060002	02060001	02060002
10x4x6-1/2	1989	13	04110001	04110002	02110001	02110002
10x4-3/4x6-1/2	2094	16	04129001	04129002	02129001	02129002
10x5x6-1/2	2072	16	04130001	04130002	02130001	02130002
10x6x6-1/2	2600	18	04140001	04140002	02140001	02140002
10-1/2x5x6-1/2	2204	18	04175001	04175002	02175001	02175002
12x4x8	1995	17	04230001	04230002	02230001	02230002
12x4-1/2x8	2138	19	04235001	04235002	02235001	02235002
12x5-1/2x8	2954	24	04240001	04240002	02240001	02240002
12x6-1/2x8	2623	26	04243001	04243002	02243001	02243002
13x4-1/2x8	2300	20	04255001	04255002	02255001	02255002
13-1/2x4-1/2x8	2350	21	04260001	04260002	02260001	02260002
13-1/2x5-1/2x8	3086	29	04270001	04270002	02270001	02270002
14x4-1/2x8	2403	23	04285001	04285002	02285001	02285002
14x5x10	2943	26	04295001	04295002	02295001	02295002
15x4x11-1/4	2160	22	04315001	04315002	02315001	02315002
15x5x11-1/4	2843	28	04320001	04320002	02320001	02320002
15x6x11-1/4	3530	31	04325001	04325002	02325001	02325002
15-1/2x5x10	3010	29	04350001	04350002	02350001	02350002
16x5x10-1/2	3086	32	04395001	04395002	02395001	02395002
16x6x10-1/2	3924	41	04400001	04400002	02400001	02400002
16x7x10-1/2	4740	43	04405001	04405002	02405001	02405002
16-1/4x5x11-1/4	3119	32	04415001	04415002	02415001	02415002
16-1/4x6x11-1/4	3924	39	04420001	04420002	02420001	02420002
16-1/4x7x11-1/4	4740	48	04425001	04425002	02425001	02425002
17x5x12-1/8	3219	35	04445001	04445002	02445001	02445002
18x5x12-1/8	3373	40	04480001	04480002	02480001	02480002
18x6x12-1/8	4299	49	04485001	04485002	02485001	02485002
18x7x12-1/8	5225	56	04490001	04490002	02490001	02490002
18x8x12-1/8	6151	65	04495001	04495002	02495001	02495002
18x9x12-1/8	7080	77	04500001	04500002	02500001	02500002
20x5x16	3836	42	04555001	04555002	02555001	02555002
20x8x16	6151	61	04570001	04570002	02570001	02570002
21x6x15	5181	60	04600001	04600002	02600001	02600002
21x7x15	5886	68	04605001	04605002	02605001	02605002
21x8x15	6922	80	04610001	04610002	02610001	02610002
21x9x15	7981	93	04615001	04615002	02615001	02615002
22x8x16	7187	83	04645001	04645002	02645001	02645002
22x9x16	8267	95	04650001	04650002	02650001	02650002

MITCHELL INDUSTRIAL TIRE COMPANY, INC



CUSHION/POB

VORTEX

SIZE	Weight	UNIVERSAL #	GRAY NON-MARKETING #
10x5x6.5	16	08130001	08130002
14x4-1/2x8	25	08285001	08285002
15x5x11-1/4	28	08320001	08320002
16x5x10-1/2	32	08395001	08395002
16x6x10-1/2	40	08400001	08400002
16.25x5x11-1/4	33	08415001	08415002
16.25x6x11-1/4	40	08420001	08420002
18x6x12-1/8	48	08485001	08485002
18x7x12-1/8	60	08490001	08490002
18x8x12-1/8	68	08495001	08495002
21x7x15	67	08605001	08605002
21x8x15	86	08610001	08610002
22x8x16	92	08645001	08645002
22x9x16	102	08650001	08650002
22x12x16	137	08665001	08665002
28x12x22	201	08805001	08805002
28x16x22	269	08815001	-
10x5x6-1/2	16	08130101	08130102
14x4-1/2x8	22	08285101	08285102
15x5x11-1/4	28	08320101	08320102
16x5x10-1/2	33	08395101	08395102
16x6x10-1/2	40	08400101	08400102
16-1/4x5x11-1/4	33	08415101	08415102
16-1/4x6x11-1/4	40	08420101	08420102
18x6x12-1/8	48	08485101	08485102
18x7x12-1/8	53	08490101	08490102
18x8x12-1/8	59	08495101	08495102
21x7x15	67	08605101	08605102
21x8x15	86	08610101	08610102
22x8x16	92	08645101	08645102
22x9x16	102	08650101	08650102
22x12x16	137	08665101	08665102
28x12x22	201	08805101	08805102

MADE SOLID SINCE 1953



CL622



CL626



EDT



EL79



EL76

PNEUMATIC

PNEUMATIC TIRES

SIZE	PLY	O.D.	SECTION WIDTH	TREAD DEPTH	CARRY CAP. 6 MPH	WEIGHT	PRODUCT #
500x8/10	10	18.5	5.39	13.9/32	2535	18	302180GS
600x9/10	10	21.26	6.3	15.7/32	3318	23	303000GS
650x10/10	10	23.23	6.89	15.1/32	3649	29	303300GS
700x12/12	12	26.61	7.48	16.4/32	5236	45	304000GS
700x15/12	12	28	6.7	Dec-32	6950	50	304100GS
750x15/12	12	29.5	7.4	13/32	7600	55	305100GS
28x9-15/14	14	27.95	8.66	23.3/32	6724	64	305800GS
825x15/14	14	33.07	9.25	18.9/32	8322	69	306101GS
18x7-8/14	14	18.31	6.81	20.2/32	3175	26	309150GS
21x8-9/14	14	21.02	7.7	17/32	6074	32	309250GS
23x9-10/18	18	23.43	8.86	17.6/32	6195	45	309300GS
27x10-12/14	14	27.16	8.86	17.36/32	5648	57	309400GS
250x15/16	16	28.94	9.84	26.5/32	8520	77	309520GS
300x15/18	18	32	12	29/32	12191	109	309550GS
500x8/10	10	18.5	5.39	22.05/32	2535	22	302180US
600x9/12	12	21.26	6.3	24.3/32	3693	35	303000US
650x10/12	12	23.23	6.89	30.04/32	4100	42	303300US
700x12/14	14	26.61	7.48	27.7/32	5236	57	304000US
700x15/14	14	29.53	7.87	29/32	6237	63	304100US
750x15/14	14	30.71	8.46	27.15/32	6779	79	305100US
28x9-15/14	14	27.95	8.66	25.98/32	6724	53	305800US
825x15/14	14	33.07	9.25	30.85/32	8322	87	306100US
28x12-15/24	24	27.99	12.01	23.9/32	5533	95	308351US
1000x20/16	16	42.2	10.94	27.7/32	13293	127	307900GS
1200x20/18	18	44.3	12.4	31.5/32	16501	232	308100GS
1000x20/18	18	43.3	10.94	33.45/32	14892	168	307900US
1200x20/20	20	46.2	12.4	33.45/32	17758	232	308100US
10x16.5/10	10	30.4	10.39	28/32	4711	46	303800SS
12x16.5/12	12	32.7	12.09	29/32	6322	58	305600SS
10x16.5/10	10	30.4	10.39	28/32	4711	54	303800S2
12x16.5/12	12	32.7	12.09	30/32	6322	79	305600S2
10x16.5/12	12	30.4	10.39	31/32	5240	74	303800ND
12x16.5/14	14	32.7	12.09	44/32	6785	101	305600ND

MITCHELL INDUSTRIAL TIRE COMPANY, INC

PNEUMATIC



IT30



IT45



ST 30



TG09

PNEUMATIC TIRES

SIZE	PLY	O.D.	CARRY CAP.	6 MPH	WEIGHT	PRODUCT #
5.00-8	10	18.5	3120		15	37218T45
6.00-9	10	21.1	3780		28	3700T45
6.50-10	10	23.6	4300		29	37330T45
7.00-12	12	27	5910		40	37400T45
7.50-15	16	30.5	8600		57	37510T45
8.25-15	14	32.7	9315		75	37610T45
5.00-8	12	19.1	3210		15	37218T30
6.00-9	14	21.3	4290		22	37300T30
6.50-10	14	23.2	5160		29	37330T30
7.00-12	16	26.6	6415		45	37400T30
7.00-15	12	29.1	6770		54	37410030
7.00-15	16	29.1	7815		54	37410T30
8.25-15	14	32.9	9315		72.67	37610T30
10.00-20	16	42.1	14335		155	37790030
10.00-20	20	42.1	15250		197	37790T30
12.00-20	18	45.1	19195		228	37810030
12.00-20	20	45.1	19780		228	37810T30

MADE SOLID SINCE 1953



WR03



TELEHANDLER

TELEHANDLER

PNEUMATIC

WR03

SIZE	RIM	SIZE	O.D. +/- 2%	WIDTH	TREAD DEPTH (32nds)	PSI	CARY CAP. (25mph)	CARY CAP. (30mph)	PRODUCT #
17.5R25	14.00/1.5		52.8	17.2	34	65	10500	-	30880R2S
20.5R25	17.00/2.0		58.9	20	42	76	-	16100	30885R2S
23.5R25	19.50/2.5		63.4	23.1	45	76	-	20400	30930R2S
26.5R25	22.00/3.0		68.4	26	47	76	-	25400	30937R2S
29.5R25	25.00/3.5		73.1	29.1	54	76	-	30900	30944R2S

TELEHANDLER (SOLID)

SIZE	DESCRIPTION	WEIGHT	PRODUCT#
1300x24/8.5	GS SOLID APETURE (TIRE ONLY)	615	24860901
1300x24/8.5	GS SOLID R4 LEFT APPERTURE TWA	745	76860LC1
1300x24/8.5	GS SOLID R4 RIGHT APERTURE TWA	745	76860RC1
1400x24/8.5	GS SOLID APETURE (TIRE ONLY)	830	24870901
1400x24/8.5	GS SOLID R4 LEFT APPERTURE TWA	960	76870LC1
1400x24/8.5	GS SOLID R4 RIGHT APERTURE TWA	960	76870RC1

CUSTOM AND PREFABRICATED WHEELS

- Full line of split and lock ring rims
- Precise fitments for all major makes and models regardless of age
- Dual / Flotation rim options also available
- Custom-made rims available upon request



POLYURETHANE

SIZE	TREAD	WEIGHT	PRODUCT #
6x5x4	SF,SC	5	60018297
8x4x6 1/4	SF	9	6003003R
8x4x6-1/4	SC	9	6003033R
8x4 1/2x4 1/2	SF	11	6003503R
8x4 1/2x4 1/2	SC	11	6003533R
9x5x5	SF	14	6006003R
9x5x5	SC	14	6006033R
10x6x6-1/4	SF	19	6013503R
10x6x6-1/4	SC	19	6013533R
10x7x6-1/4	SF	23	6014503R
10x7x6-1/4	SC	23	6014533R
10x4x6-1/2	SF	12	6011003R
10x4x6-1/2	SC	12	6011033R
10x4-3/4x6-1/2	SF	15	6012903R
10x4-3/4x6-1/2	SC	15	6012933R
10x5x6-1/2	SF	16	6013003R
10x5x6-1/2	SC	16	6013033R
10-1/2x5x6-1/2	SF	17	6017503R
10-1/2x5x6-1/2	SC	17	6017533R
12x4x8	SF	16	6023003R
12x4-1/2x8	SF	16	6023503R
12x4-1/2x8	SC	16	6023533R
12x5-1/2x8	SF	22	6024003R
12x5-1/2x8	SC	22	6024033R
12x5x9	SF	13	6023903R



MADE SOLID SINCE 1953



UNDER CARRIAGE

UNDER CARRIAGE PARTS



FRONT IDLER

Guides and supports the rubber track at the front of the undercarriage, maintaining proper track tension and alignment during operation. Built for durability and smooth performance under heavy loads.



REAR IDLER

Located at the rear of the track frame, the rear idler helps guide the rubber track and evenly distribute weight. Designed to reduce wear and extend undercarriage life through consistent tension and tracking.



SPROCKET

Drives the rubber track by engaging the track links directly. Precision-machined teeth ensure positive engagement, smooth rotation, and long service life even in demanding conditions.



BOTTOM ROLLER 2-FLANGE

Supports and guides the rubber track along the bottom of the frame. The 2-flange design keeps the track aligned on flat or moderate-grade terrain, reducing vibration and track wear.



BOTTOM ROLLER 3-FLANGE

Provides added side stability for machines working on uneven or sloped surfaces. The 3-flange configurations offers superior track retention and longer wear life under extreme working conditions.

MITCHELL INDUSTRIAL TIRE COMPANY, INC

RUBBER TRACKS

Rubber Track Construction

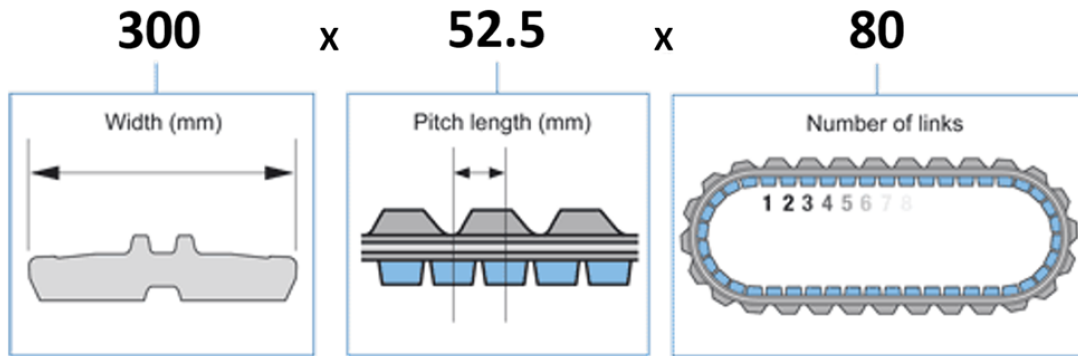
How a Rubber Track is Sized

Width (in mm) x Pitch (in mm) x Number of Links (count)

Example: BOBCAT 331D

300 x 52.5 x 80

(NOTE: Be aware, some manufacturers swap the Pitch and Number of links)
(i.e. 300 x 80 x 52.5)



(You may also see letters "N" or "W" on Excavator tracks. That letter states the guide width is either "Narrow" or "Wide".)

What you need to correctly identify track fitment:

1) Make/ Model

2) Track Width

3) Pattern

Common Track Widths	
mm	Inches
450	17.72
420	16.54
400	15.75
350	13.78
320	12.60
300	11.81
250	9.84
230	9.06
200	7.87
180	7.09

1) Make / Model

Examples:

BOBCAT / T190

KUBOTA / SVL 65-2

2) Tack Width

Some models have multiple track widths.

3) Pattern

Some models have pattern options.

"Block"

"C"

"Z"

Improved surface

All Terrain

Snow/Sand



E1

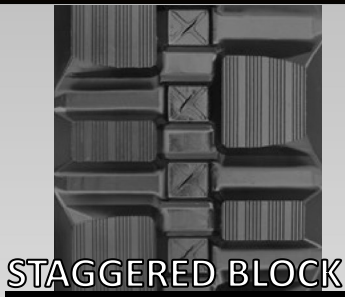


E3

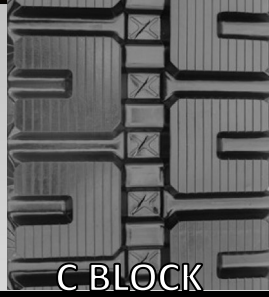


ZZ

MADE SOLID SINCE 1953



STAGGERED BLOCK



C BLOCK



MULTI-BAR



ZIG ZAG

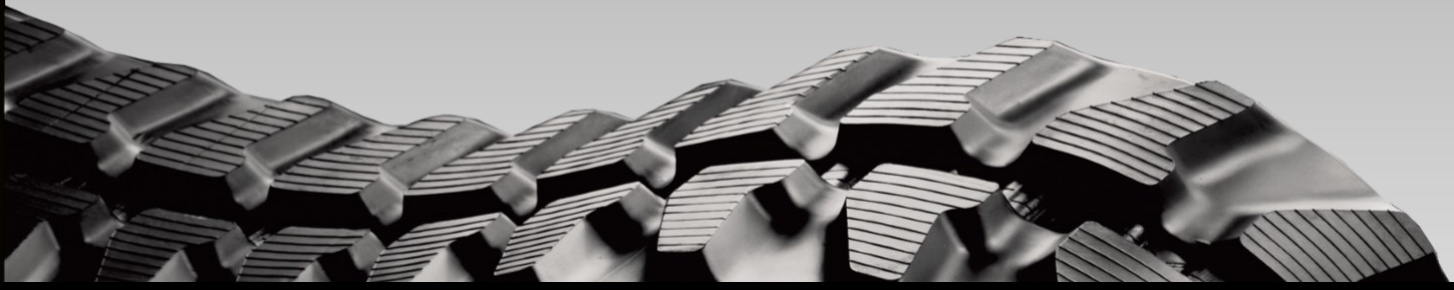
RUBBER TRACKS

RUBBER TRACKS

PRODUCT#	WIDTH / PITCH/ LINKS	WEIGHT	MACHINE CAPABILITY	MACHINE TYPE
1732BC45	320X86 Cx45	327	Bobcat T140	CTL
1732BC49	320X86X Cx49	356	Bobcat T180 T190 T550 T570 T590; Cat 239D 249B; JCB 180T	CTL
1732BC50	320X86KX Cx50	363	Case 440CT, Bobcat 864 Series T200 Series T630 T650; JCB 190T	CTL
1732BC52	320X86X Cx52	378	Deere 319D 323D CT322, Komatsu CK20 Series CK25-1; Kubota SVL75 Series	CTL
1732BC53	320X86X Cx53	385	Cat 259B 259B3 259D	CTL
1740BC49	400X86X Cx49	431	Bobcat T180 T190 T550 T570 T590; Cat 239D 249B; JCB 180T	CTL
1740BC50	400X86X Cx50	440	Case 440CT	CTL
1740BC52	400X86X Cx52	458	Deere CT322 319D 323D; Kubota SVL75	CTL
1740BC53	400X86X Cx53	486	Cat 259B 259B3 259D	CTL
1745BC56	400X86X Cx56	493	Deere 329D CT332 333D	CTL
1745HD52	B450x86SDx52	510	Bobcat 864 Series T200 T630 T650; IHI CL35; JCB 1110T 190T	CTL
1745BC55	450X86X Cx55	539	Bobcat T250 T300 T320 T730 T750 T760 T770; Case 445CT 450CT TR320 TR380; New Holland C185 C190 LT190C LT195B	CTL
1745BC56	450X86X Cx56	549	Cat 289C2 289D; Deere 329D 333D CT332; IHI CL45; JCB 260T 320T; Komatsu 1020 CK30-1 CK35-1; Volvo MTC135C	CTL
1745BC58	450X86X Cx58	568	Bobcat T830 T870; Kubota SVL90 SVL95	CTL
1745BC60	450X86X Cx60	588	Cat 279C 289C 299C 299D	CTL
17A11437	11X4x37	104	ASV PT30 RC30 RT30; Terex PT30; Cat 247 247B 247B2 247B3	CTL
17180451	18X4x51	275	257 Series; Terex RT-190T	CTL
17184C51	18X4Cx51	258	ASV PT100 RC100 RC85; Cat 287 287B	CTL
17180456	18X4x56	304	ASV PT80 SR80; Cat 277C 277C2 277D 287C 287C2 287D 297C 297D 297D-XHP; Terex PT100 PT110 PT75 PT80	CTL
			Cat 267 267B 277 277B	CTL

MITCHELL INDUSTRIAL TIRE COMPANY, INC

RUBBER TRACKS



RUBBER TRACKS

PRODUCT#	WIDTH / PITCH/LINKS	WEIGHT	MACHINE CAPABILITY	MACHINE TYPE
17457182	450x71x82	870	Cat 307 307A 307SSR 308BSR E70 E70B	Mini Excavator
17239633	230x96x33	124	Bobcat E16 320 322 323; Cat 301.6 301.8; Takeuchi TB016	Mini Excavator
17239635	230x96x35	131	Deere 17ZTS; Kubota KX41-2 KX41-3 U15; Takeuchi TB15F TB15FR, Bobcat 325 Series 328 Series	Mini Excavator
17300N74	300x52.5Nx75	278	Deere 27C-ZTS; Yanmar B27; Airman AX27; Komatsu PC27, Bobcat 231 331 334 E26 E32; Case CX27B; Deere 27D; Komatsu PC27MRX; Kubota KX71 KX91	Mini Excavator
17300N80	300x52.5Nx80	301	New Holland EC35 EH27B	Mini Excavator
17300N84	300x52.5Nx84	316	Bobcat E35; Komatsu PC30 PC35; Cat 303CR 303.5	Mini Excavator
17300N84	300x52.5Nx84	316	Hitachi EX35 Series	Mini Excavator
17300N86	300x52.5Nx86	324	Deere 35 Series; Komatsu PC35MR-2; Terex TC37	Mini Excavator
17355286	350x52.5x86	337	Case CK35; Kobelco SK035; Takeuchi TB035 TB135 TB138FR TB235	Mini Excavator
17355K86	350x54.5Kx86	447	Kubota KX121-3	Mini Excavator
17400N72	400x72.5Nx72	535	Kobelco SK50SR; Komatsu PC40 PC45 PC50; Takeuchi TB55R TB55UR; Yanmar B5 B50 Series B6	Mini Excavator
17400N74	400x72.5Nx74	550	Case CX50 CX50B; JCB 8045ZTS; Deere 50D 60D; Kobelco SK50UR; Kubota U45; Takeuchi TB045 TB145 TB153FR TB250A TB53FR	Mini Excavator
17400W74	400x72.5Wx74	651	Bobcat E45 E50 E55 337 341 435; IHI IS50 IS55; JCB 805.2 8052 8060; Kubota KX045	Mini Excavator
17400W74	400x72.5Wx76	651	Volvo EC55; U45G	Mini Excavator
17400W76	400x72.5Wx76	669	Bobcat E60; Cat 304C-CR 305C-CR; New Holland EC60; Takeuchi TB260	Mini Excavator

MADE SOLID SINCE 1953

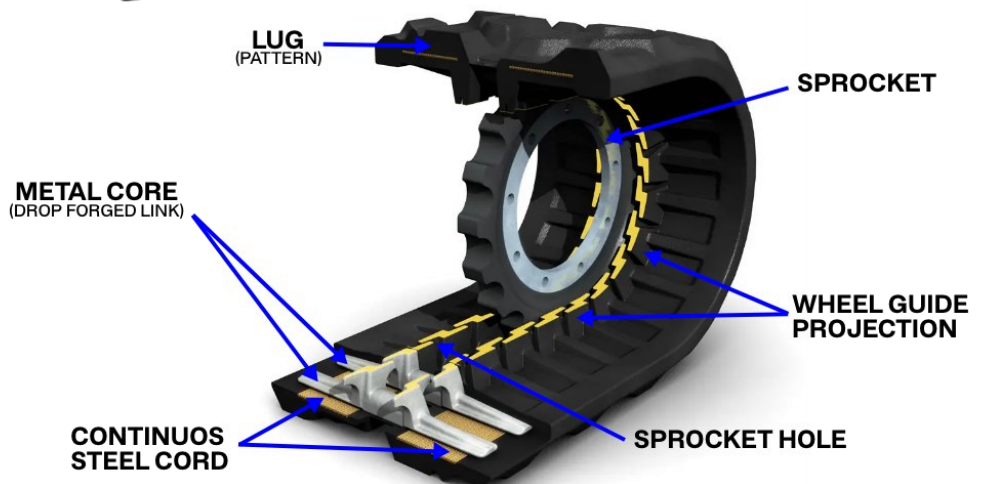
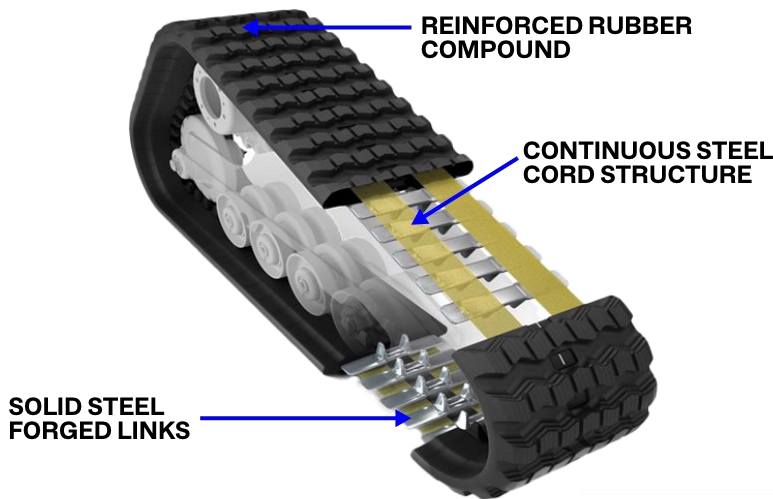
RUBBER TRACKS

RUBBER TRACKS

PRODUCT#	WIDTH / PITCH/ LINKS	WEIGHT	MACHINE CAPABILITY	MACHINE TYPE
1732TC52	T320X86KX Cx52	379	Gehl CTL60 DTL65; Mustang MTL16 MTL316; Takeuchi TL8 TL130 TL230 TL230-2	MTL
1745TC48	450X100KX Cx48	583	Gehl CTL70 CTL75; Mustang MTL20 MTL320; Takeuchi TL10 TL140 TL240	MTL
1745TC50	450X100KX Cx50	607	Gehl CTL80 CTL85; Mustang MTL25 MTL325; Takeuchi TL12 TL150 TL250	MTL
1732TC46	T320X86KXCx46	335	Gehl CTL55; Mustang MTL312; Takeuchi TL120 TL220	MTL

BEYOND THE TREAD

Our ARISUN Rubber Tracks are designed with continuous steel cord technology and drop forged links to provide extreme durability and riding comfort in all applications

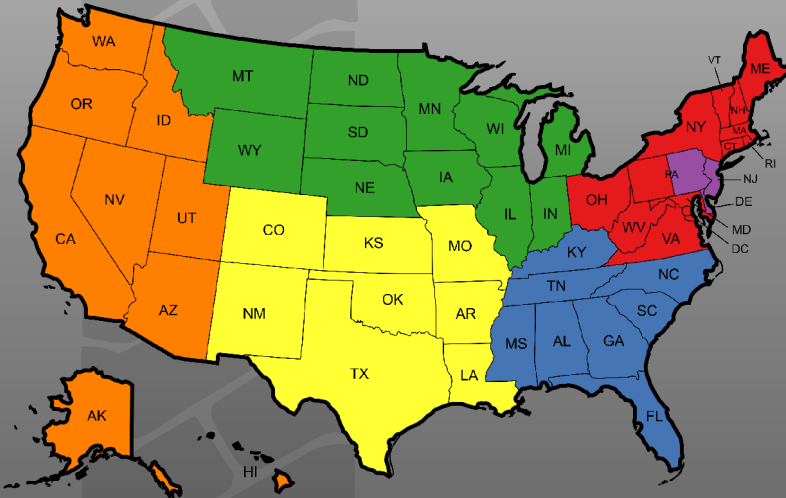


MITCHELL INDUSTRIAL TIRE COMPANY, INC

WARRANTIES

All products sold by MITCO are guaranteed to be free from defects in workmanship and materials. Any product found by us to have such a defect will be replaced or a reasonable adjustment or allowance will be made against the purchase of a new product, within our discretion. All other costs involved, including, but not limited to, labor, freight, service, taxes, and tariff surcharges are to be borne by the buyer. The buyer agrees that replacement or adjustment, as aforesaid, shall be the exclusive remedy and that MITCO shall not in any event be held liable for any special, indirect, or consequential damages. MITCO makes no other warranty, express or implied, and specifically excludes any and all warranties of MERCHANTABILITY and FITNESS for a particular purpose.

-  Alfred Robles
-  Tony Curtis
-  Ed Sheibley
-  Lisa Carr
-  Jeff Schnee Jr.
-  Blake Heidecker



Northeast Distribution Center
3041 Marwin Ave. Suite 200
Bensalem, PA 19020
Toll Free Sales: (800) 251-7226

Southwest Distribution Center
415 N Connally Dr
Elm Mott, TX 76640
Toll Free Sales: (800) 251-7226

West Coast Distribution Center
440 N Pioneer Ave. Suite 101
Woodland, CA 95776
Toll Free Sales: (800) 648-2699

Sales & Orders: 1-(800) 251-7226
More Product Information:
www.MITCO.com



INDUSTRIAL TIRE PROBLEM SOLVERS SINCE 1953

CHATTANOOGA TN

OOLETEWAH TN

BENSALEM PA

ELM MOTT TX

WOODLAND CA